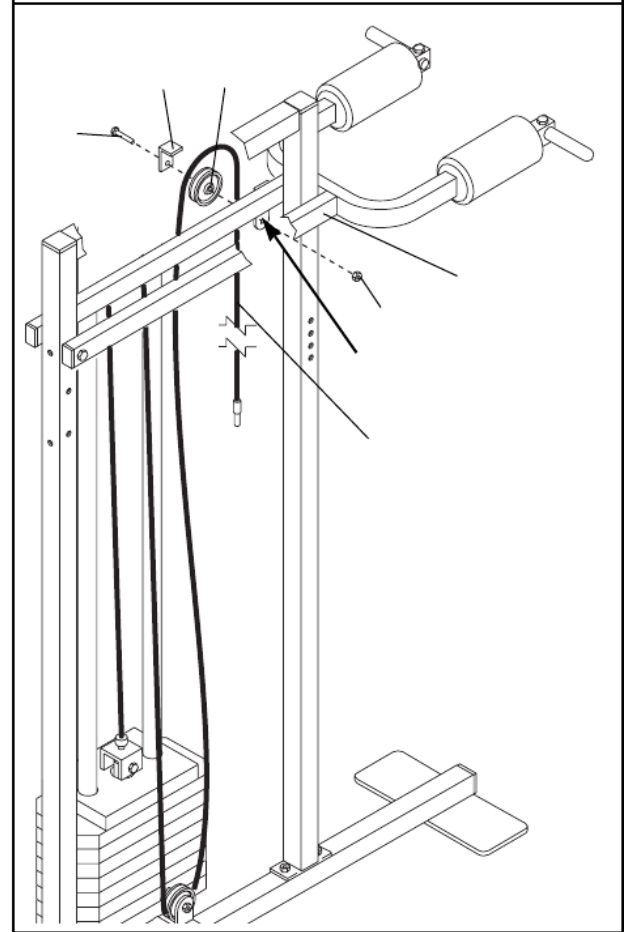
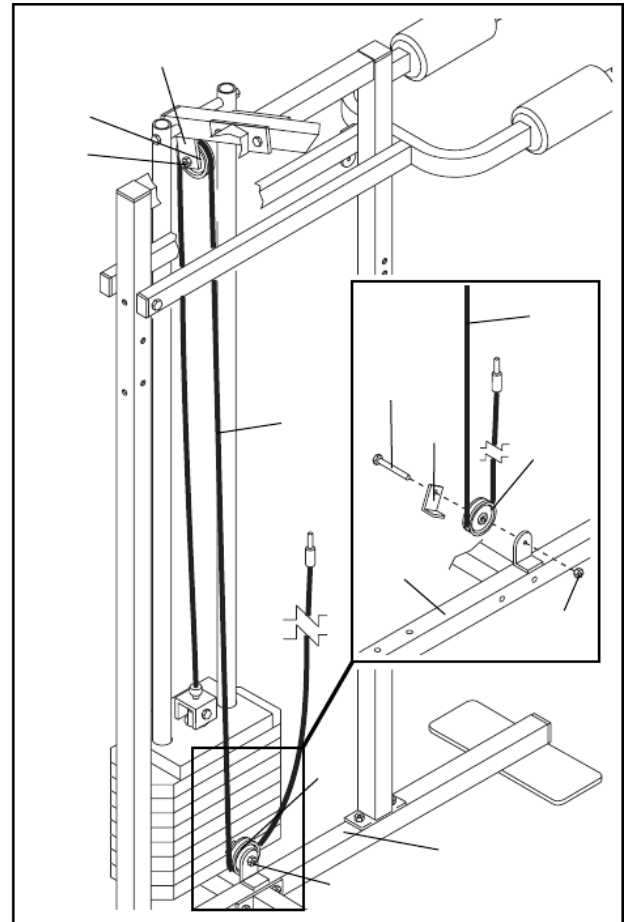


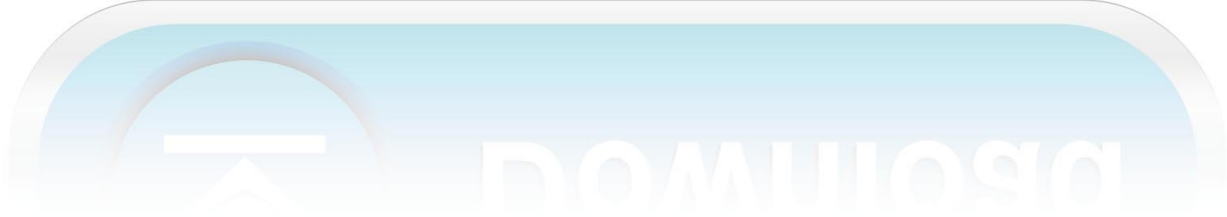


0-WEB.ru

[Weider 8530 User Manual](#)



[Weider 8530 User Manual](#)



0-WEB.ru

These books contain exercises and tutorials to improve your practical skills, at all levels! You can download PDF versions of the user's guide, manuals and ebooks about weider 8530 exercises pdf, you can also find and download for free A free online manual (notices) with beginner and intermediate, Downloads Documentation, You can download PDF files about weider 8530 exercises pdf for free, but please respect copyrighted ebooks.. Below is a list of some of the Weider manuals that are available BSS1D0 - WEIDER BODY SHAPER DUAL ACTION MINISTEPPER.

Weider 8530 Exercises Pdf pdf - search pdf books free download Free eBook and manual for Business, Education, Finance, Inspirational, Novel, Religion, Social, Sports, Science, Technology, Holiday, Medical, Daily new PDF ebooks documents ready for download, All PDF documents are Free, The biggest database for Free books and documents search with fast results better than any online library eBooks.

weider user manuals

weider user manuals, crossbow by weider user manual, weider pro 4300 user manual, weider 8510 user manual, weider pro 9930 user manual pdf, weider 2980 x user manual, weider 8530 user manual, weider pro 6900 user manual, weider 8630 user manual, weider 740 home gym user manual, weider exercise manual, weider 2990i user manual, weider crossbow user manual, weider platinum user manual, weider 8515 user manual, weider 2980 user manual

ADVERTISING Download our weider 8530 exercises pdf eBooks for free and learn more about weider 8530 exercises pdf.

weider pro 4300 user manual

Page 1 Model No WESY8630C 5 Serial No Write the serial Weider User Manuals Below is a list of some of the Weider manuals that are available.

weider pro 9930 user manual pdf

Home Gym Weider 8530 User Manual 8530 home gym system (27 pages) Home Gym Weider 8920 User Manual (28 pages) Summary of Contents for Weider 8630.. To find more books about weider 8530 exercises pdf, you can use related keywords :Similar Books to.. Click on the link below and you will be able to browse all our Weider user manuals and also be able to download the manual instantly. e10c415e6f